

# Suzuki Burgman AN650

## Motorcycle OBD 6-pins



<https://www.Heerings.net>  
27 september 2023

---

This adapter cable allows you to connect your diagnostic interface with a 16-pin OBD2 - OBDII connector to the 6-pin connector of your motorcycle.

**The Dealer Mode allows you to access the Fi error codes, troubleshoot Fi problems and adjust the throttle position sensor (TPS). However, the original Suzuki part is bulky and not suitable for permanent installation on the motorcycle.**

**Pinout Reference:**

- Pin 1 (White/Red) - "Vendor Option" [ 9 ]
- Pin 2 (White/Black) - CAN BUS HIGH [ 6 ]
- Pin 3 (Black/White) - GND [ 4 ] [ 5 ]
- Pin 4 (White/Yellow) +12V (via ignition key) [ 16 ]
- Pin 5 (Black/Blue) - CAN BUS LOW [ 14 ]
- Pin 6 (nc) - unused

Note: On the 6-pins OBD-connector (Suzuki) short pin [ 1 ] and [ 4 ] to get in dealer mode. On the OBD-2 connector, short [ 9 ] to [ 4 ] or [ 5 ] with a paper clip to reset the service reminder.

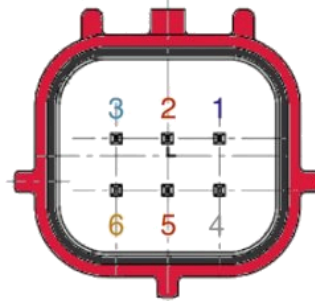


<b>OBDII / OBD2 Connector (female)</b>		<b>Euro5 ISO / DIS 19689 6-Pin Connector</b>	
6	CAN_ H line		2
4 + 5	Ground		3
16	VBAT +12V		4
14	CAN_ L line		5
7	K-Line		6

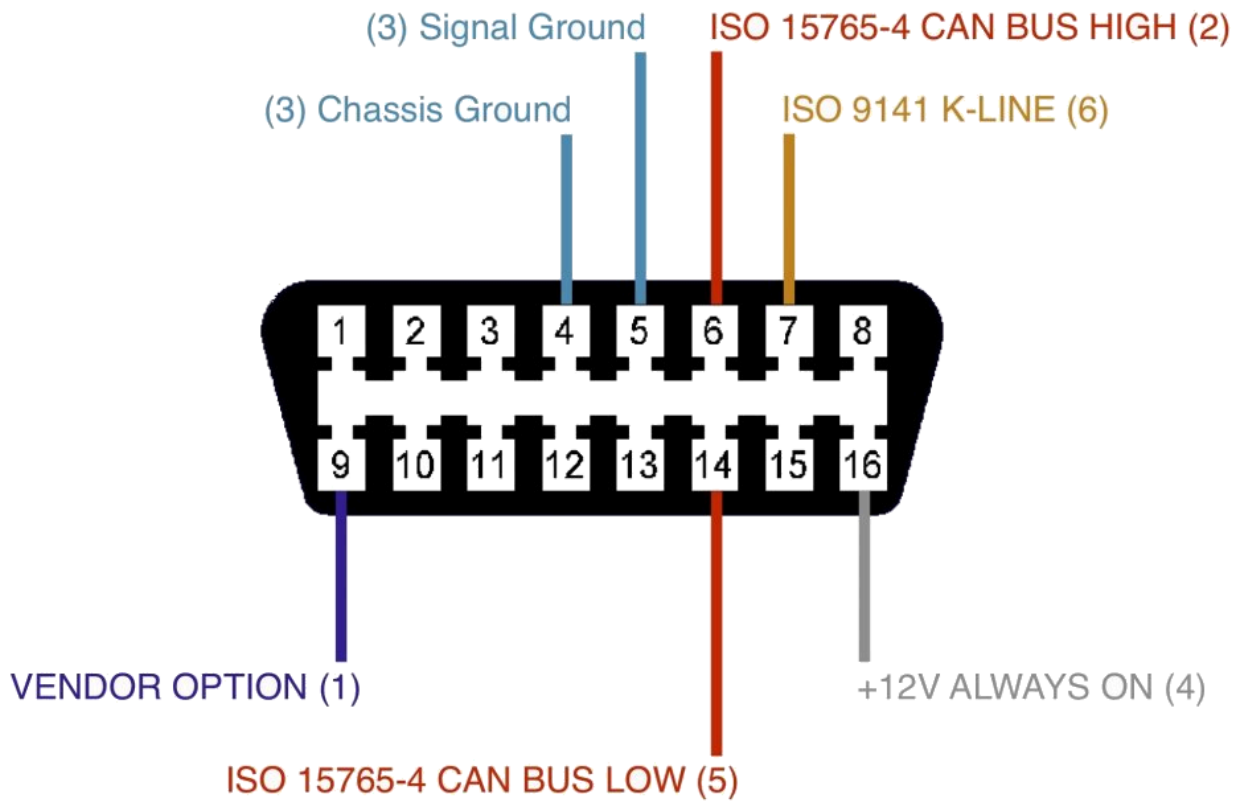
Wiring Diagram:



ODB-2 (SAE J1962)



Euro5 (ISO 19689)





Also suitable for the following models 2003+:

- Suzuki GSF Bandit 1250 2007-2015
- Suzuki GSF Bandit 650 2007-2015
- Suzuki HAYABUSA 1300 2004-2017
- Suzuki B-KING 1300 2007-2017
- Suzuki GSXR 1000 2004-2017
- Suzuki GSXR 750A 2010-2017
- Suzuki GSXR 600 2004-2017
- Suzuki GSR 750 2010-2017
- Suzuki GSR 600 2005-2010
- Suzuki GSF 1200 BANDIT 2007-2017
- Suzuki GSF 650 BANDIT 2007-2017
- Suzuki GSX 1400 2004 - 2007
- Suzuki GSX 1250FA 2010-2017
- Suzuki GSX 650 2008-2017
- Suzuki SXR 600 2004-2017
- Suzuki GSR 750 2010-2017
- Suzuki GLADIUS 650 2009-2017
- Suzuki SV 1000 2003-2007
- Suzuki SV 650 2003-2017
- Suzuki DL 1000 V-STROM 2004-2017
- Suzuki DL 650 V-STROM 2004-2017
- Suzuki AN 650 BURGMAN 2003-2017
- Suzuki AN 400 BURGMAN 2003-2017
- Suzuki 1500 INTRUDER 2005-2017
- Suzuki C 800 INTRUDER 2005-2017
- Suzuki M 1500 INTRUDER 2005-2017
- Suzuki M 800 INTRUDER 2005-2017
- Suzuki C 1800 R INTRUDER 2006-2017
- Suzuki M 1800 R INTRUDER 2006-2017
- Suzuki C 109 BOULEVARD 2006-2017
- Suzuki M 109 R BOULEVARD 2006-2017
- Suzuki LTA 700/750 KING QUAD